



# Defendoor EasyGlide

Ultra Clear Retractable Screens

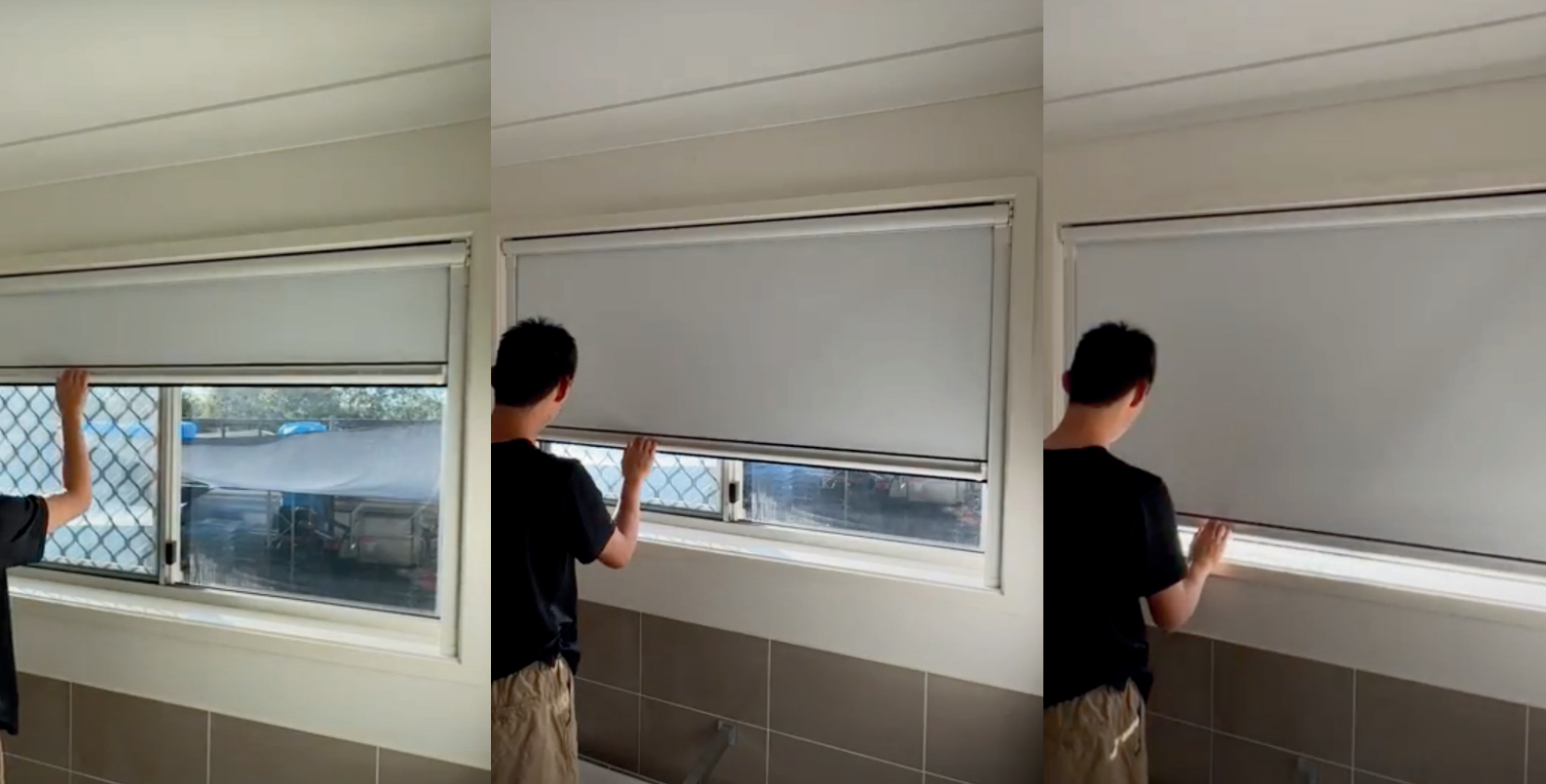
*Product Brochure 8-22*





# Defendoor EasyGlide

## Ultra Clear Retractable Screens



## Defendoor EasyGlide

Defendoor Easy Glide retractable screen is designed with cutting-edge technology to enhance your living space. Featuring ultra-clear mesh, this screen provides unobstructed views while keeping insects at bay. Its durable construction ensures long-lasting performance, even in high-traffic areas.

### Benefits & Features

Easy Removal for maintenance

Ultra Clear Visibility

Self Cleaning Brush

Scratch Resistant

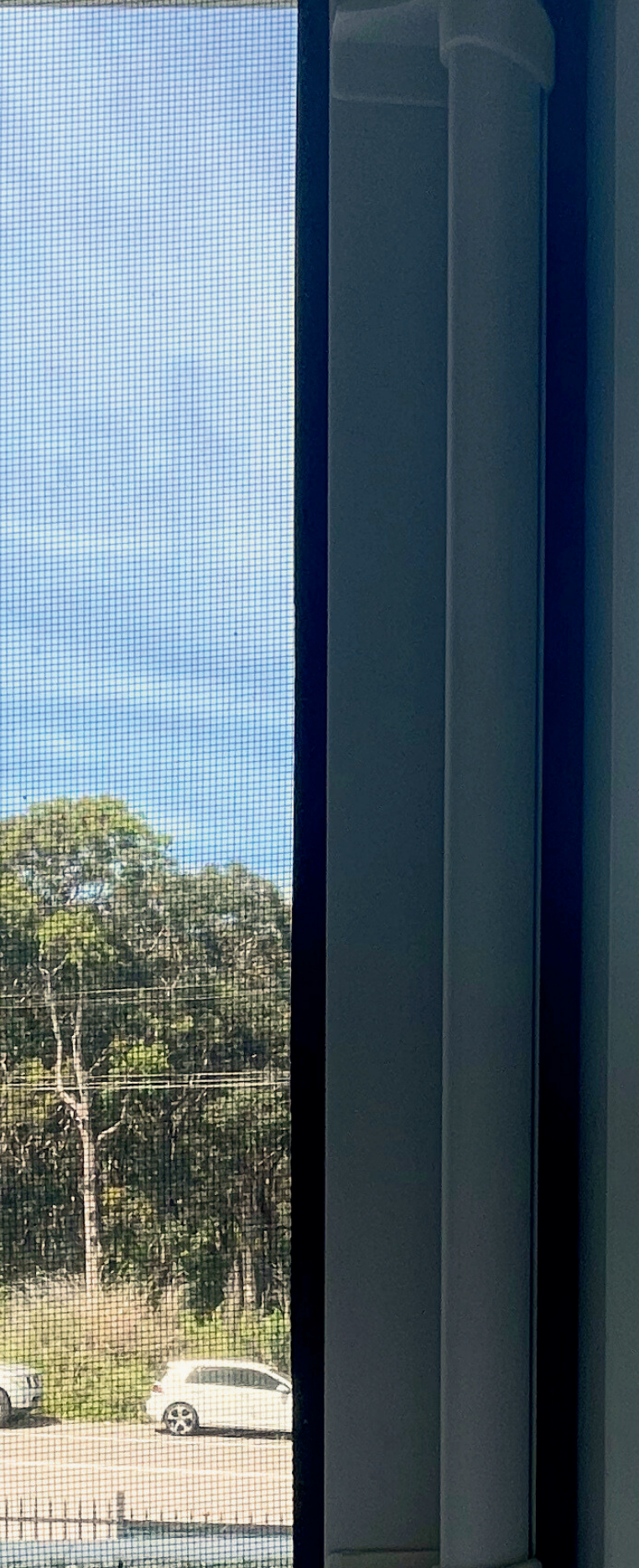
Easy Operation





# Defendoor EasyGlide

## Ultra Clear Retractable Screens

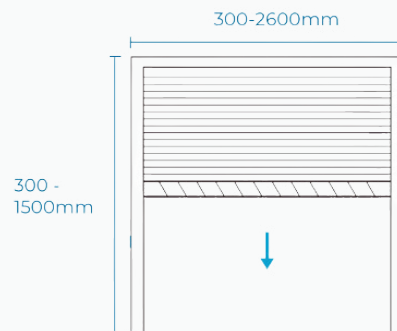


### Opening Configuration

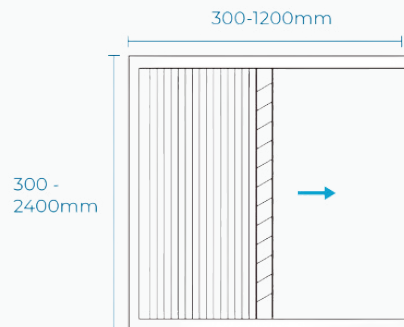
Defendoor EasyGlide is available in two opening configurations: 3 side frame vertical closing and 3 side frame horizontal closing.

Defendoor EasyGlide can be installed in either a reveal fit or face fit configuration, allowing easy and flexible install options.

#### 3 Side Frame Vertical Closing



#### 3 Side Frame Horizontal Closing





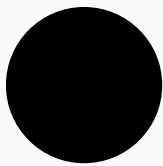
# Defendoor EasyGlide

## Ultra Clear Retractable Screens

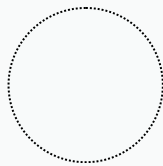
### Product Details

The innovative design of Defendoor EasyGlide ensures effortless installation and maintenance. The EasyGlide Mesh is ultra clear, allowing maximum airflow and visibility.

#### Frame Colour Options



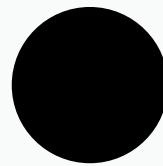
Black



White

\*Customer colours available

#### Mesh Colour Options



Black

### Materials

**Mesh:** Midge (3 years warranty)

**Frame:** Powder coated aluminium  
(5 years warranty)







# Defendoor EasyGlide

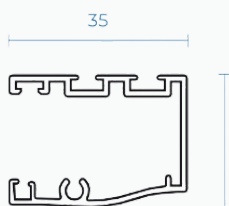
## Ultra Clear Retractable Screens



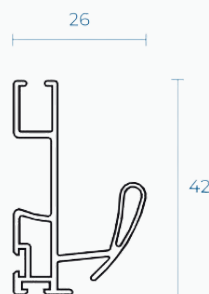
## Technical Specifications

Defendoor's EasyGlide retractable screens are designed with high-quality materials to ensure durability and functionality. The side tracking is manufactured to ensure they retract smoothly and with ease.

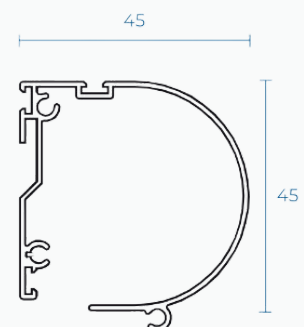
**Track Profile**



**Handle Profile**



**Cassette Including  
Plastic fitting  
(50mm deep)**



**doolans**  
group

**Wholesale Specialists**

**NEWCASTLE HEAD OFFICE**

1/38 Kalaroo Road,  
Redhead, NSW 2290

**Tel:** 1300 656 337

**Email:** [info@doolansgroup.com.au](mailto:info@doolansgroup.com.au)

*Our partners*

**Mudbath.**

**DARLEY**  
ALUMINIUM

**Austral Lock**

**alspec**  
ALUMINIUM SYSTEMS  
SPECIALISTS

**LOCKWOOD**

**Doric**

**PETWAY**  
ACCESS DOORS

**Whitco**  
SCREENING SOLUTIONS

**SCREENGUARD**

**Cyclone**

**total**  
HARDWARE