



Defendoor Durashield

Durable Retractable Screens

Product Brochure 8-22





Defendoor Durashield

Durable Retractable screens



Defendoor Durashield

Defendoor Durashield is the market first barrier rated retractable screen and ideal for outdoor use, such as garages and patios. Unlike soft mesh options, Durashield is lockable providing an excellent way to enclose a space while still allowing fresh air to flow.

Benefits & Features

Durable Petproof alloy mesh

Comes with a lock and key

Low Profile Track

Easy Operation



Defendoor Durashield

Durable Retractable Screens

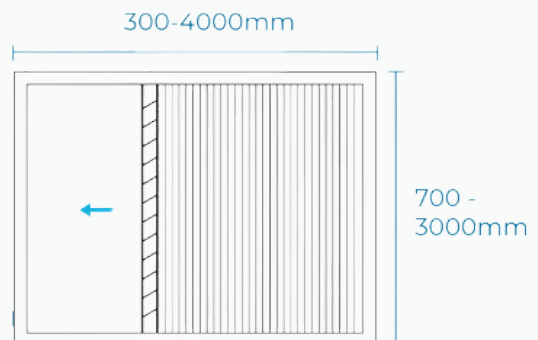


Opening Configuration

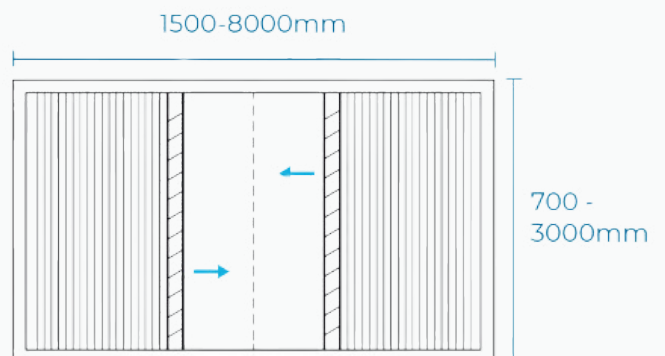
Defendoor Durashield is available in two opening configurations: Single Slide and Double Slide Centre Opening.

Defendoor Durashield can be installed in either a reveal fit or face fit configuration, allowing easy and flexible install options.

Single Slide



Double Slide Centre Opening





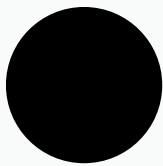
Defendoor Durashield

Durable Retractable Screens

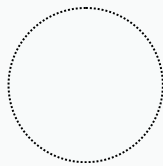
Product Details

The innovative design of Defendoor Durashield ensures effortless installation and maintenance. Its low-profile bottom track minimally obstructs, enabling smooth passage for cars and wheelchairs.

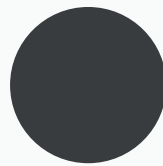
Frame Colour Options



Black



White

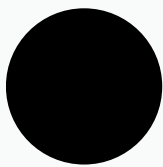


Grey

*Customer colours available



Mesh Colour Options



Black

Materials

Mesh: Alloy Metal (5 years warranty)

Frame: Powder coated aluminium (5 years warranty)





Defendoor Durashield

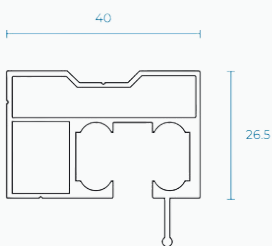
Durable Retractable Screens



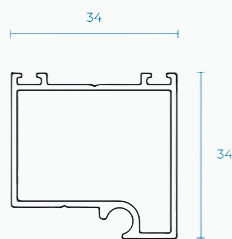
Technical Specifications

Defendoor's durashield retractable screens are designed with high-quality materials to ensure durability and functionality. The top and bottom tracking is manufactured to ensure they retract smoothly and with ease.

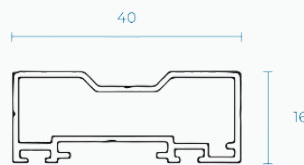
Top Track



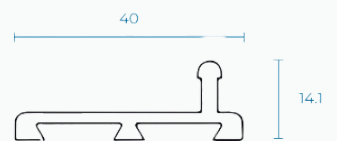
Handle



Side Frames



Bottom Track



doolans
group

Wholesale Specialists

NEWCASTLE HEAD OFFICE

1/38 Kalaroo Road,
Redhead, NSW 2290

Tel: 1300 656 337

Email: info@doolansgroup.com.au

Our partners

Mudbath.

DARLEY
ALUMINIUM

Austral Lock

alspec
ALUMINIUM SYSTEMS
SPECIALISTS

LOCKWOOD

Doric

PETWAY
ACCESS DOORS

Whitco
SCREENING SOLUTIONS

SCREENGUARD

Cyclone

total
HARDWARE